

4

3

2

1

THIS DRAWING IS UNPUBLISHED.

RELEASED FOR PUBLICATION

© COPYRIGHT - By - TE CONNECTIVITY

ALL RIGHTS RESERVED.

LOC

DIST

REVISIONS

HB

P

LTR

DESCRIPTION

DATE

DWN

APVD

F

REMOVED CSA&OPTIMIZATION SSA RATING&USED WELDED CONTACT ECO-13-000705

14Aug2013

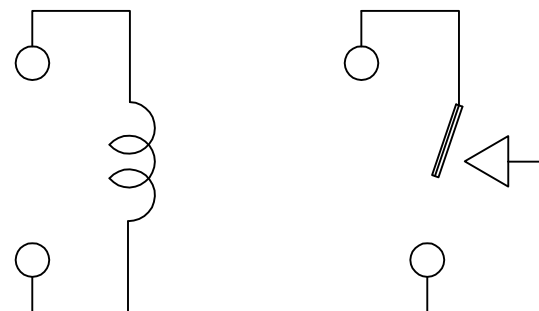
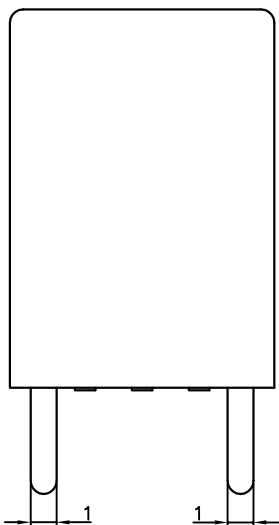
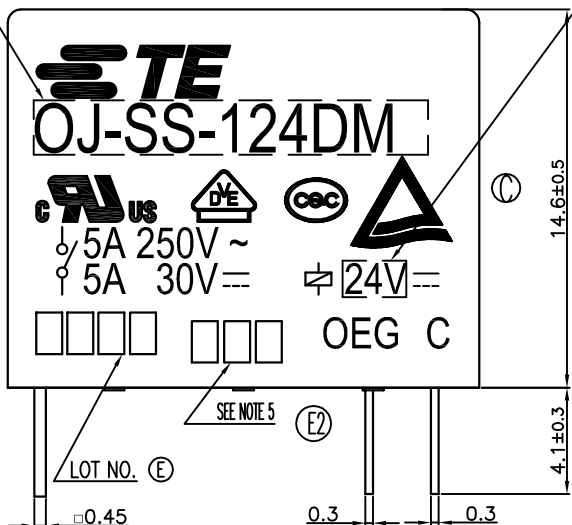
YS.H

F.B



PART A

PART B



CONNECTION FIGURE

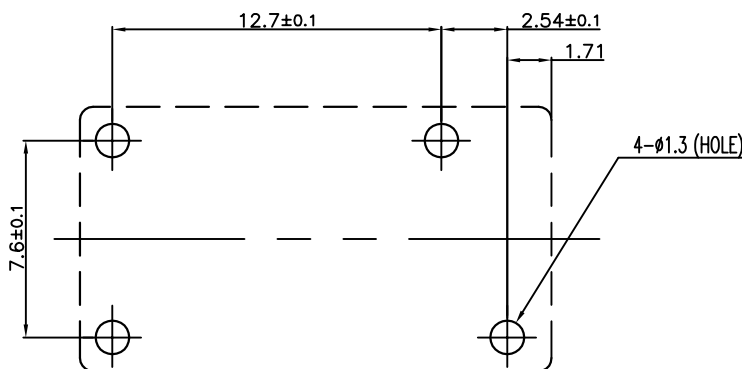
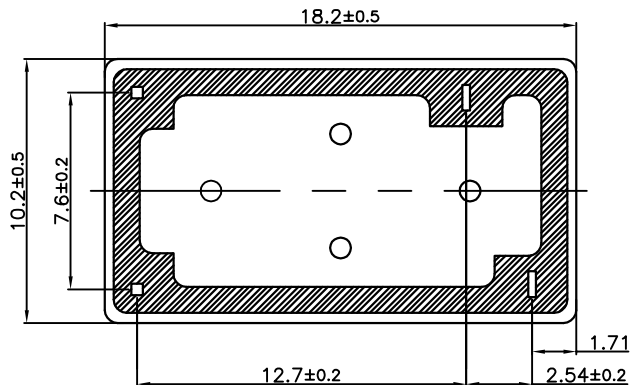


FIGURE FOR PRINTED CIRCUIT BOARD PROCESSING (BOTTOM VIEW)

Diagram dimension	Tolerance
0.99mm max.	±0.1mm
1 - 2.99mm	±0.2mm
3mm min.	±0.3mm



THIS DRAWING IS A CONTROLLED DOCUMENT.

DWN	H.Sasaki	 TE Connectivity	OJ-SS-DM CUSTOMER DRAWING			
CHK	Y.Oikakwa					
APVD	A.Nagai					
PRODUCT SPEC						
APPLICATION SPEC		SIZE	CAGE CODE	DRAWING NO	RESTRICTED TO	
MATERIAL		A3	00779	1461076		
FINISH		CUSTOMER DRAWING		SCALE	SHEET	REV
				5:1	1 of 2	F

THIS DRAWING IS UNPUBLISHED.

RELEASED FOR PUBLICATION

-. . .

© COPYRIGHT - By - TE CONNECTIVITY

ALL RIGHTS RESERVED.

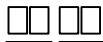
LOC	DIST	REVISIONS					
HB	-	P	LTR	DESCRIPTION	DATE	DWN	APVD
		-	-	SEE SHEET 1	-	-	-

PART NO	TYPE NAME	PACKAGE SPEC	PART B	PART A	TYPE
1461076-3	OJ-SS-118DM	107-79010	18VDC	OJ-SS-118DM	h
4-1419144-6	OJ-SS-148DM	107-79010	48VDC	OJ-SS-148DM	g
2-1419129-9	OJ-SS-124DM	107-79010	24VDC	OJ-SS-124DM	f
1-1419129-8	OJ-SS-112DM	107-79010	12VDC	OJ-SS-112DM	e
1-1419129-5	OJ-SS-109DM	107-79010	9VDC	OJ-SS-109DM	d
1461076-2	OJ-SS-106DM	107-79010	6VDC	OJ-SS-106DM	c
3-1419144-7	OJ-SS-105DM	107-79010	5VDC	OJ-SS-105DM	b
1461076-1	OJ-SS-103DM	107-79010	3VDC	OJ-SS-103DM	a

RELAY TYPE

ⓄⓄ NOTE:

1. LOT NO. SYSTEM AS FOLLOWS:



WEEK
YEAR

Ⓞ2 2. TERMINAL DIMENSION IS BEFORE SOLDER DIP;

Ⓞ3 3. FOR THE TIN-PLATING OF THE PINS:
+0.1mm FOR WIDTH, THICKNESS AND DIAMETER.
+0.5mm FOR LENGTH.

ⓄⓄ4 4. USED WELDED CONTACT & LASER MARKING.

Ⓞ2 6. ADD LOT NO. SYSTEM AS FOLLOWING;



I, DIGITS FOR DAY OF THE WEEK
1...MONDAY IN THIS WEEK;
2...TUESDAY IN THIS WEEK;
.....
7...SUNDAY IN THIS WEEK

II, DIGITS FOR SHIFT OF THE DAY
1...DAY SHIFT IN THIS DAY;
2...NIGHT SHIFT IN THIS DAY;

III, ONE CHARACTER DISTINGUISH THE LINE IDENTITY, SUCH AS: A,B,....Z

		EPOXY RESIN	SEAL (BASE & BOBBIN)	ITEM
		JUEW	MAGNETIC WIRE	14
94V-0		P.B.T	CASE	13
94V-0		P.B.T	BASE	12
94V-0		P.B.T	BOBBIN	11
	SOLDER DIP	C.P WIRE	COIL TERMINAL	10
94V-0		P.P.S	CARD	9
		Ag ALLOY	MOVABLE CONTACT	8
		Ag	NO.CONTACT	7
		STEEL	HINGE SPRING	6
	SOLDER DIP	PBP	NO.TERMINAL	5
	SOLDER DIP	PBS	MOVABLE SPRING	4
	NIP	STEEL	CORE	3
	NIP	STEEL	ARMATURE	2
	NIP	STEEL	YOKE	1
INCOMBUSTIBILITY	TREATMENT	MATERIAL	DESCRIPTION	ITEM

THIS DRAWING IS A CONTROLLED DOCUMENT.		DWN	H.Sasaki	-
DIMENSIONS: mm		CHK	Y.Oikakwa	-
TOLERANCES UNLESS OTHERWISE SPECIFIED:		APVD	A.Nagai	-
0 PLC ± -		PRODUCT SPEC	-	-
1 PLC ± -		APPLICATION SPEC	-	-
2 PLC ± -		WEIGHT	-	-
3 PLC ± -		CUSTOMER DRAWING	-	-
4 PLC ± -		SCALE	5:1	-
ANGLES ± -		SHEET	2 of 2	-
MATERIAL	FINISH	RESTRICTED TO	-	-
-	-	SIZE	A3	-
		CAGE CODE	00779	-
		DRAWING NO	1461076	-
		REV	F	-



OJ-SS-DM CUSTOMER DRAWING